

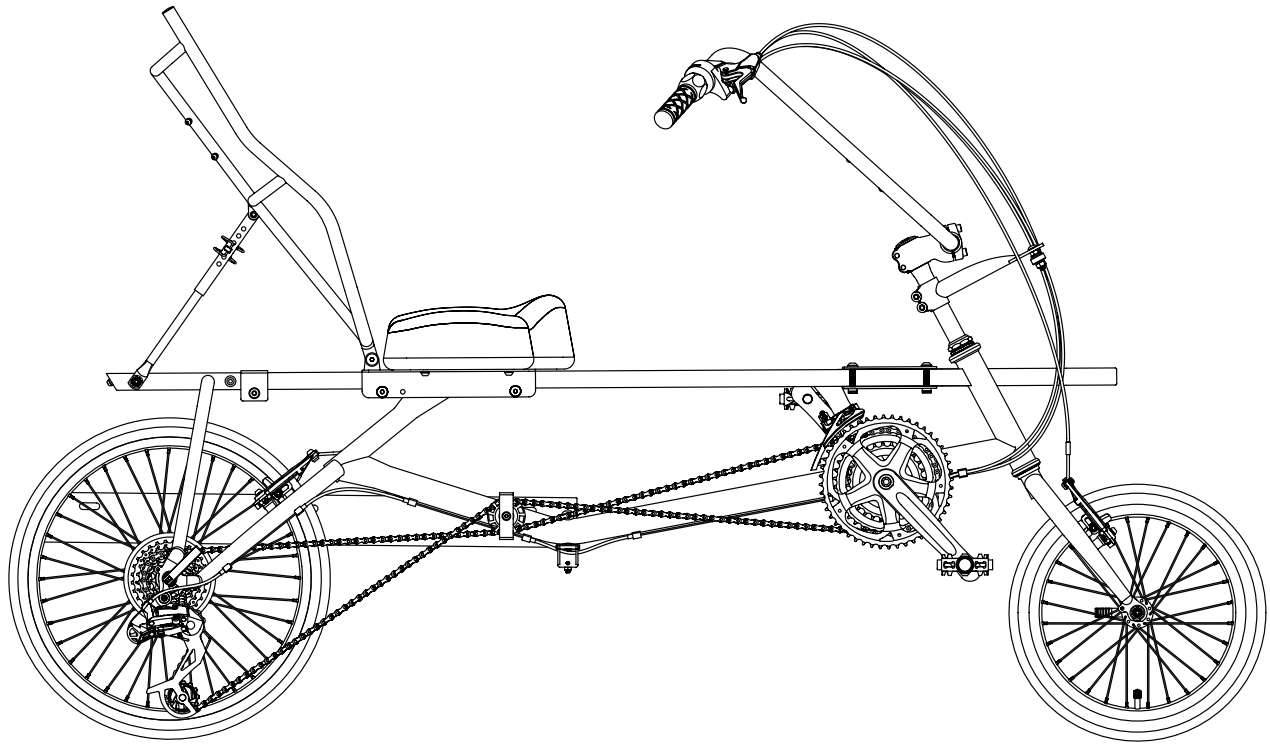


Side by Side Kit for EZ-CLASSIC SX Owner's Manual #670576

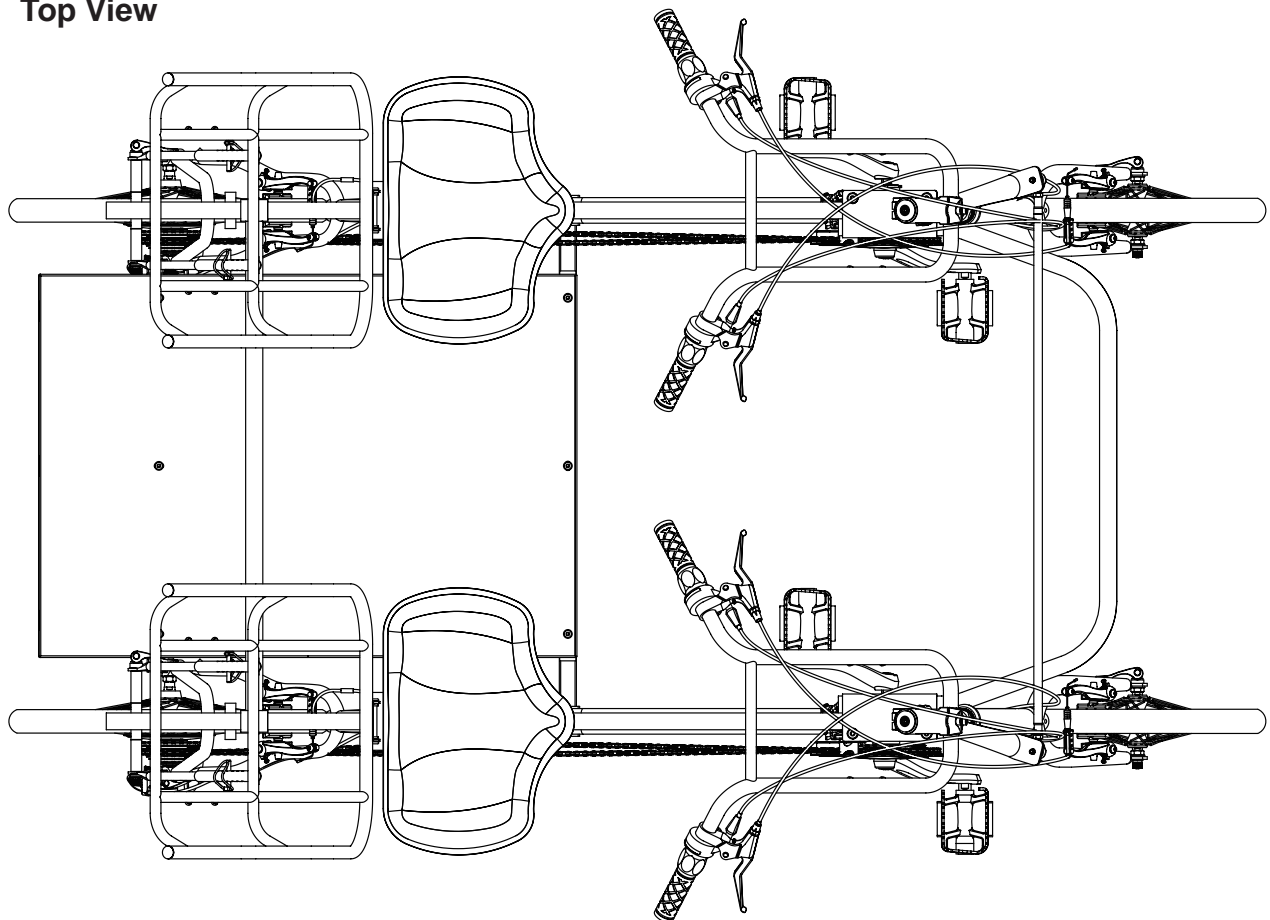


Reference Views for Side by Side Kit Installed

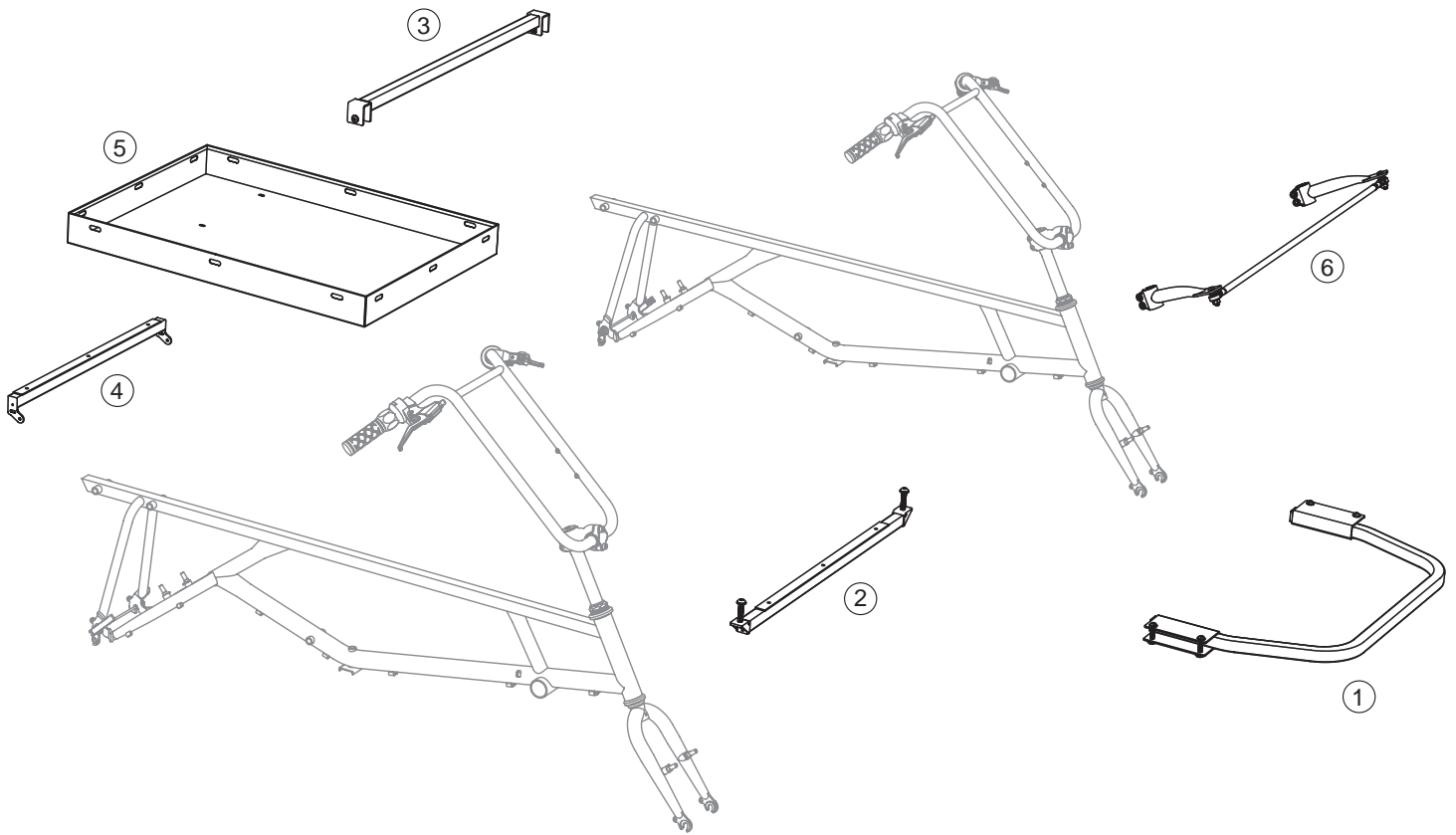
Side View



Top View



Side by Side Kit Assembly Reference

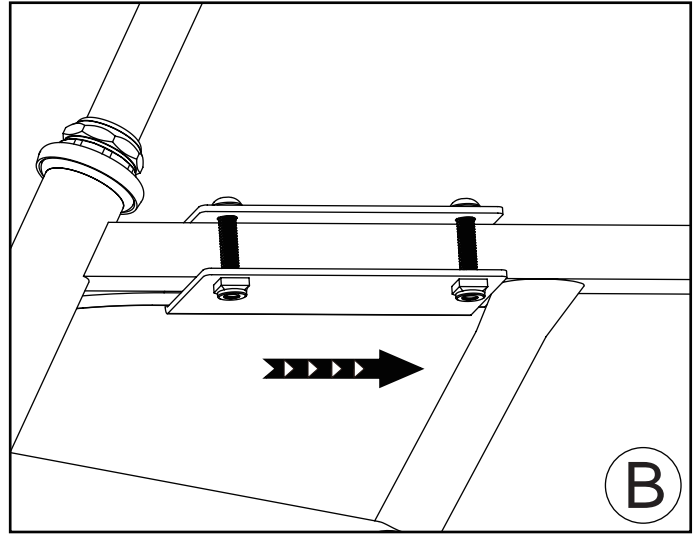
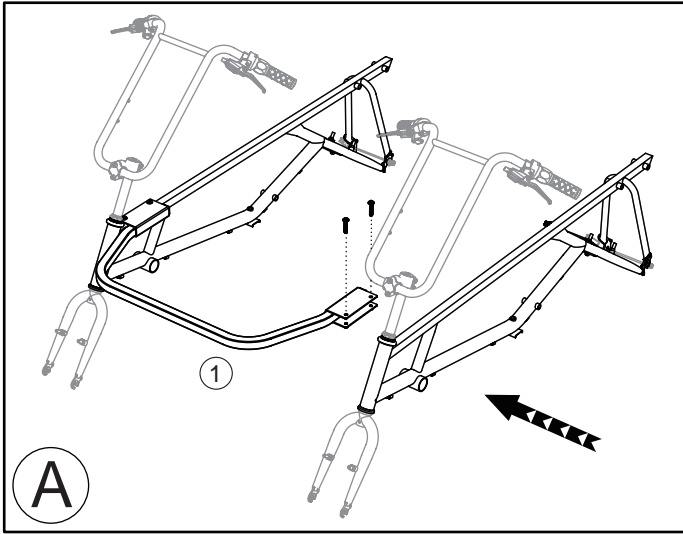


Side by Side Kits Parts List

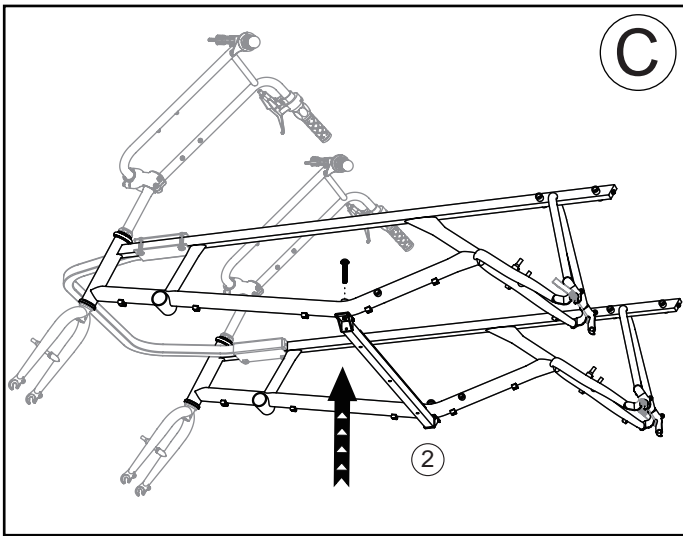
ITEM	DESCRIPTION	QTY
1	Bracket #1	1
2	Bracket #2	1
3	Bracket #3	1
4	Bracket #4	1
5	Tray	1
6	Steering Arms & Linkage	1 set

Assembly Guide

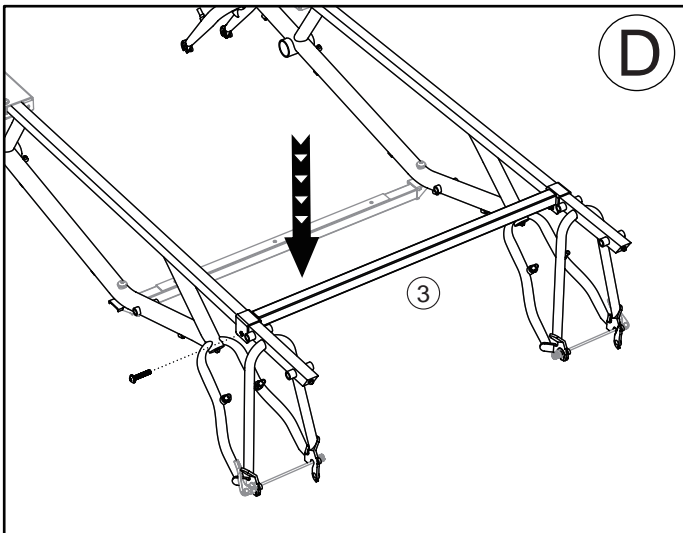
Bracket #1 Installation



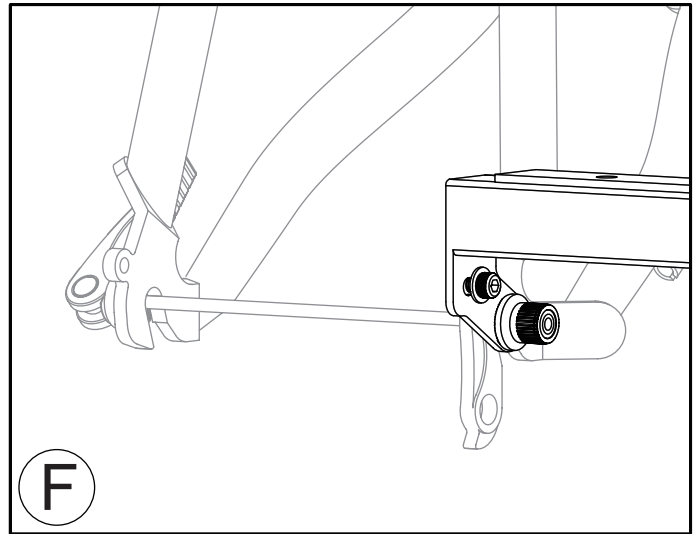
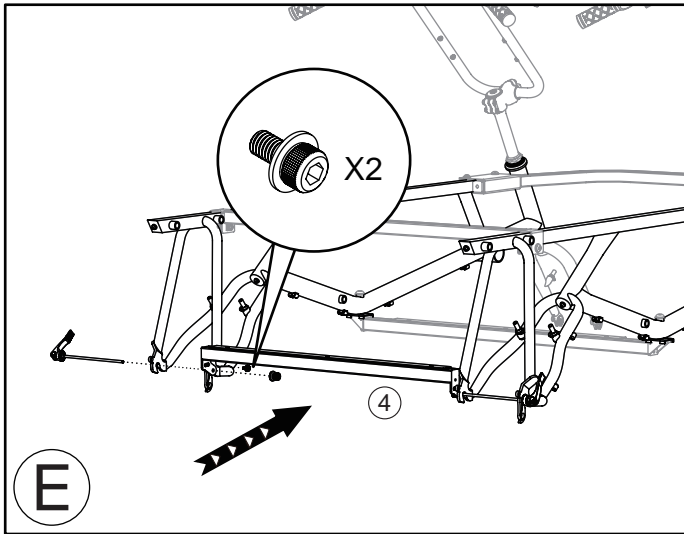
Bracket #2 Installation Note if your frames do not have the Kickstand mounting holes and tabs you will need the optional #670784 Kickstand adapter set on page 8 of this manual.



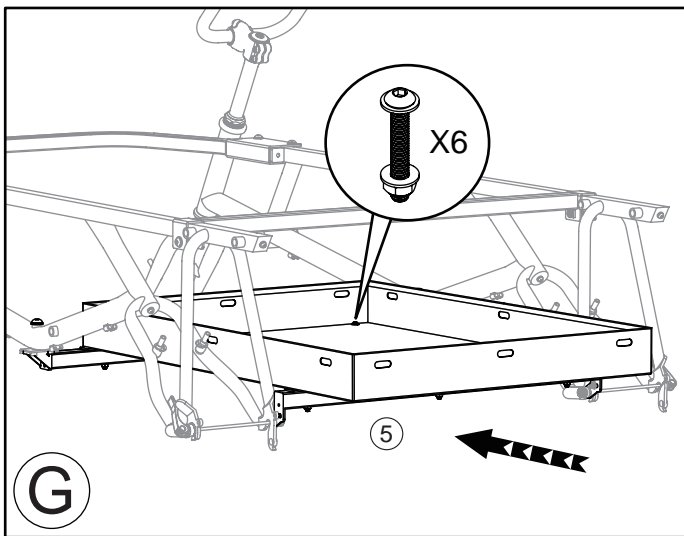
Bracket #3 Installation



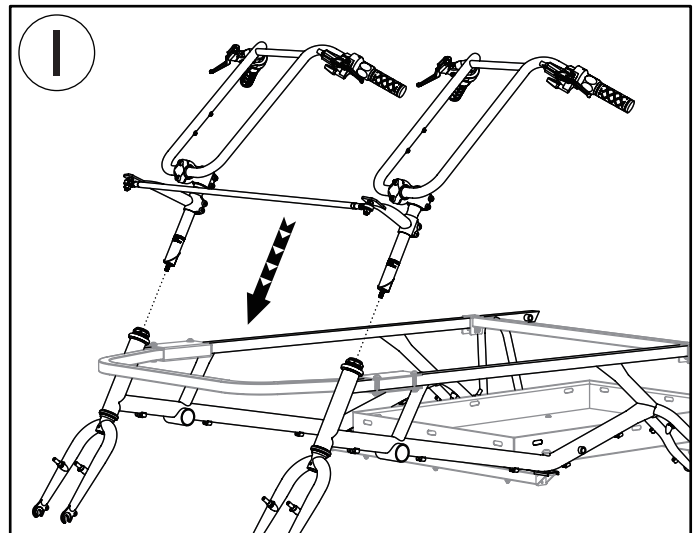
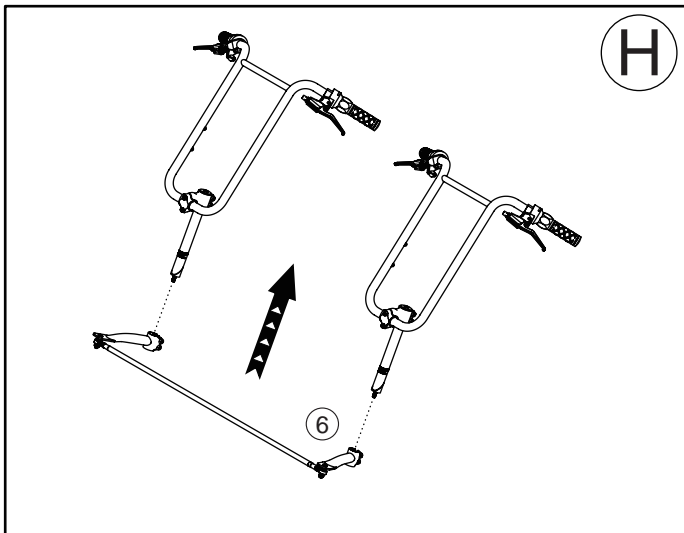
Bracket #4 Installation



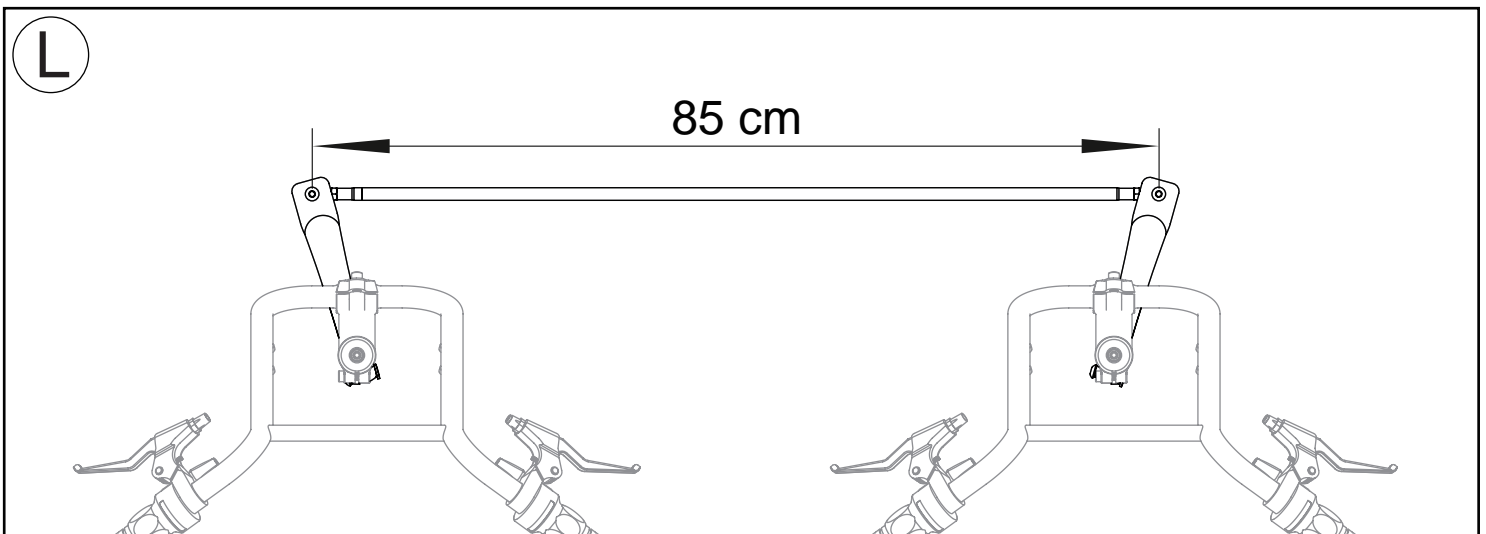
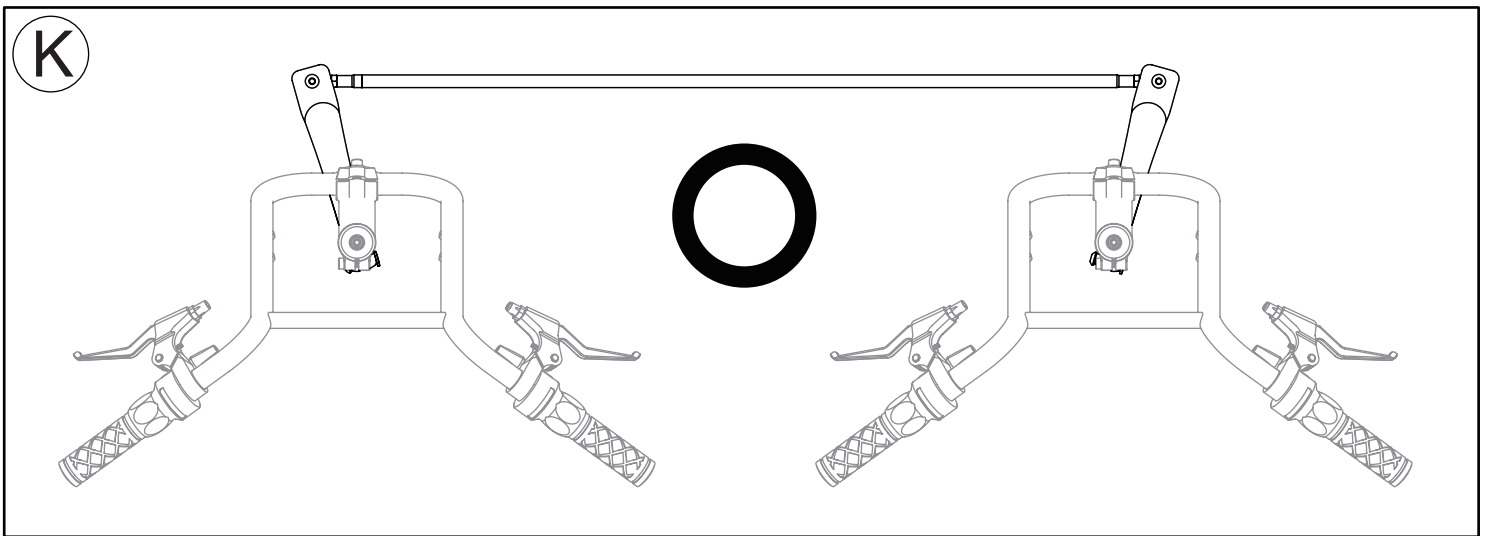
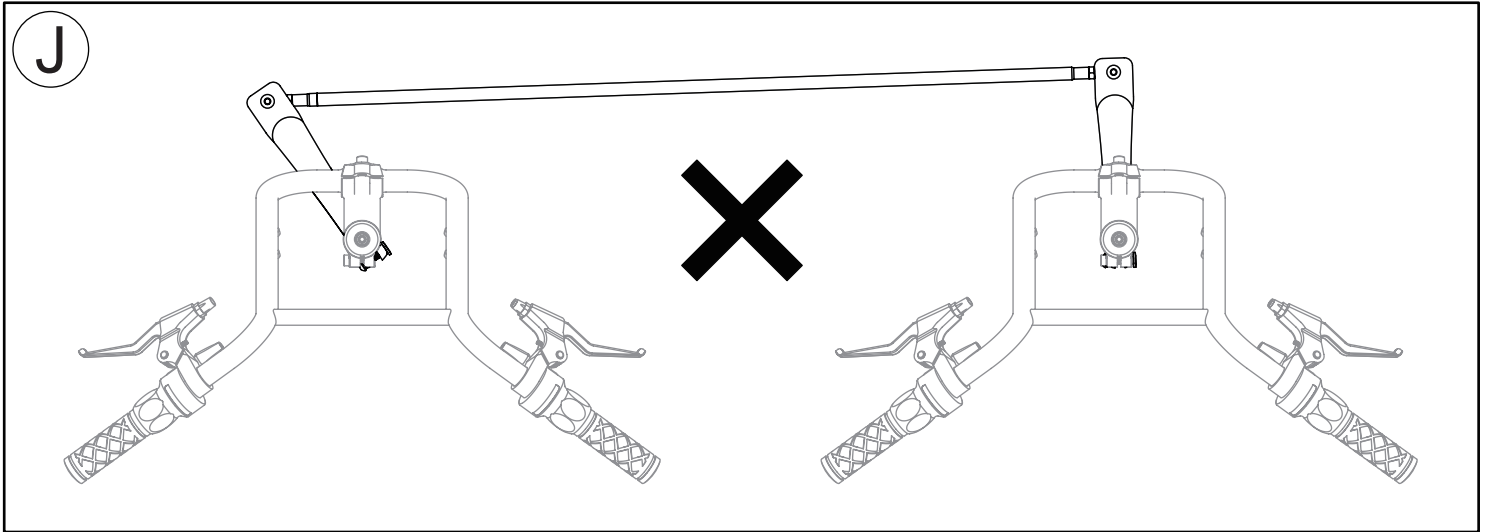
Tray Installation



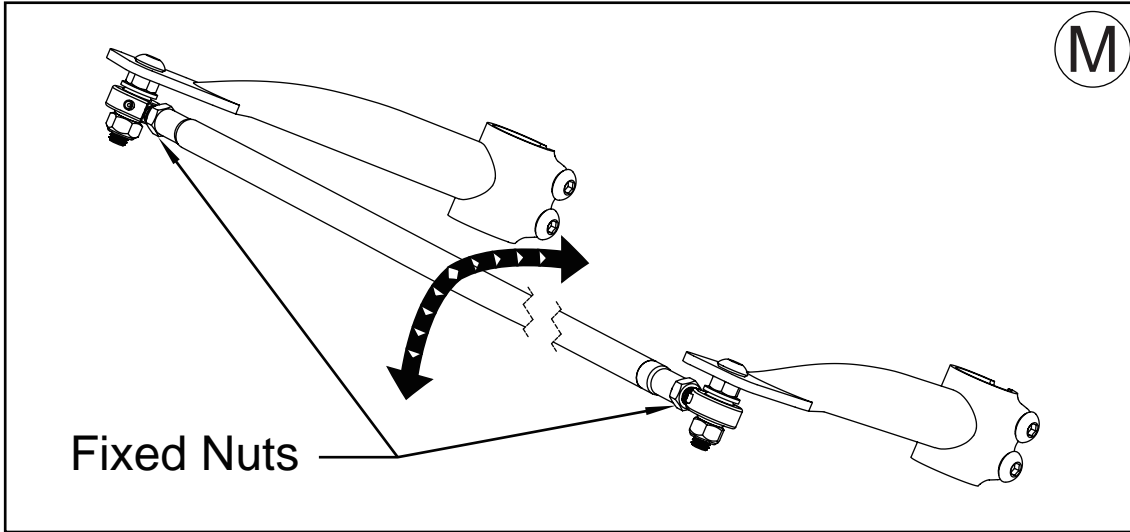
Steering Arm and Linkage Installation



Steering Arm and Linkage Calibration



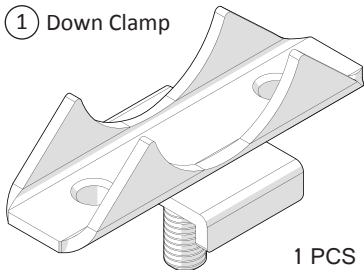
Fine Adjustment for Length of Linkage



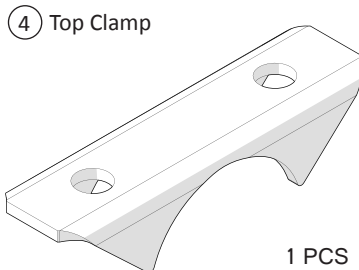
670784 CLAMP FOR SIDE BY SIDE ASSEMBLY INSTRUCTIONS

PARTS LIST

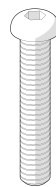
① Down Clamp



④ Top Clamp



⑥ Button Head Cap Screws M8x55mm



② Washer M8x19x3.0T



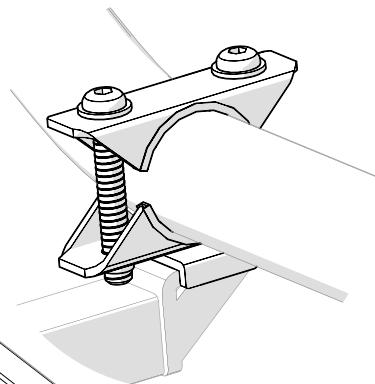
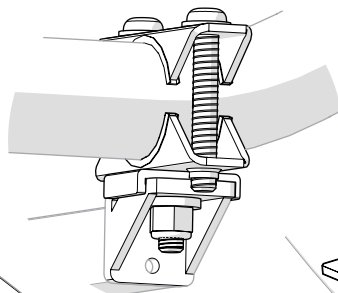
⑤ Gasket



⑦ Washer M8x16x1.5T



③ Nylon nut M8



Down tube



Brace center down tube

