

Platform Pedal

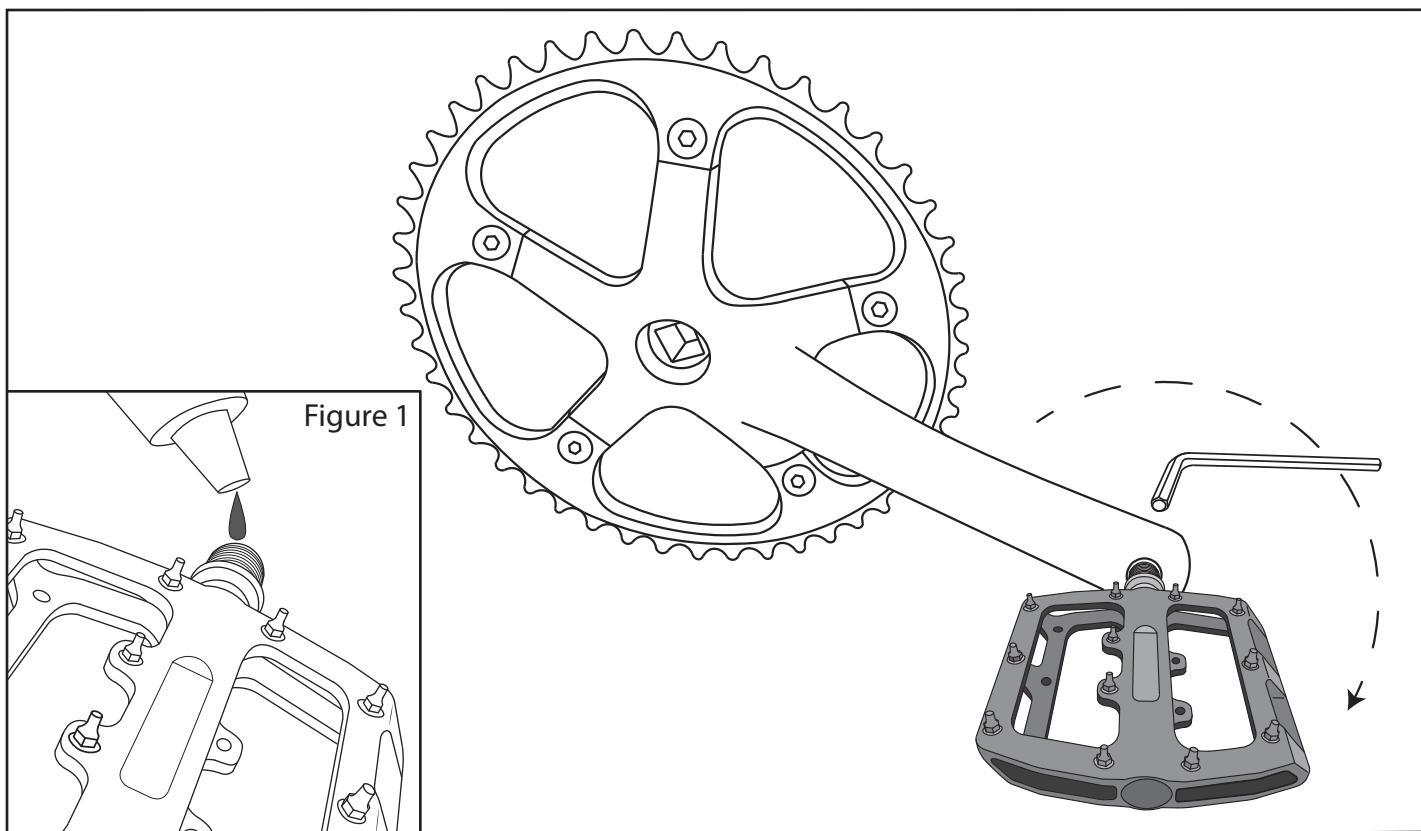
Instruction Manual

PP002

Warning

Failure to install pedals properly may result in damage to your bicycle, serious injury, and/or death.

Please read all instructions before installing your new pedals.



Please Note:

Pedals have left and right threading. Forcing pedals to thread on the wrong side can damage the crankarm and/or pedals threads. Both left and right pedals tighten by turning toward the front of the bike.
The LEFT pedal can be identified by a groove in the axle near the threads.

Installation

1. Remove old pedals and apply grease to the threads of the pedals to be installed. **Figure 1**
2. Hand thread first pedal until the threads are engaged.
3. Finish tightening using a 5mm allen wrench (not included) to a minimum of 33Nm.
4. Repeat process for other side.
5. Double check that both pedals are secure and fully tightened with no play.

SUNLITE